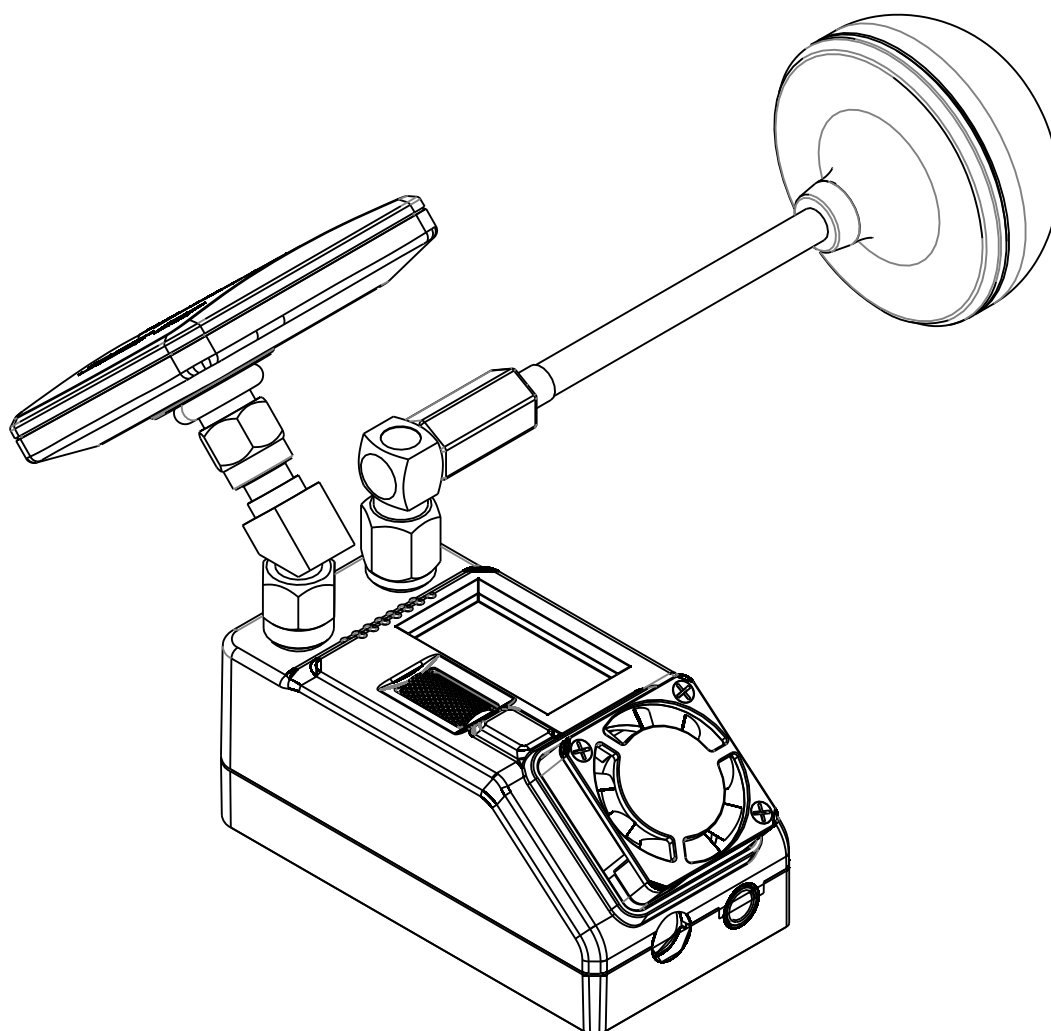




# SteadyView X USER MANUAL



## Specification

<b>Display</b>	
Screen	0.96" Color LCD
Viewing direction	ALL View
<b>Receiver</b>	
Frequency	5.3-6GHz, 6Band x 8Channels
Sensitivity	-98dBm±1dBm
Narrow-Band Filter	Yes
Antenna Connectors	2x Standard SMA-K, 50ohm
Mode	Mix1,Mix2,Mix3, Diversity, Single RX
Video output	1.0Vp-p Typ. / 75ohm
Audio output	No audio output
<b>Power</b>	
Voltage	6.5-26V
Consumption	12V input@240mA Normal, 180mA Single RX
<b>Interface</b>	
DC IN	φ 5.5mm@PIN2.1mm
A/V output	φ 3.5mm
USB	Type-C, Firmware Update
<b>Dimensions</b>	65(L)X32(W)X32(H)
<b>Weight</b>	49g

## BAND/CH Table

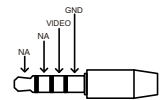
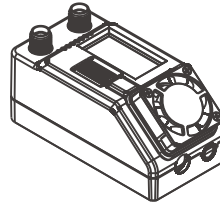
BAND/CH	CH 1	CH2	CH3	CH4	CH5	CH6	CH7	CH8
<b>A</b>	5865M	5845M	5825M	5805M	5785M	5765M	5745M	5725M
<b>B</b>	5733M	5752M	5771M	5790M	5809M	5828M	5847M	5866M
<b>E</b>	5705M	5685M	5665M	5645M	5885M	5905M	5925M	5945M
<b>F</b>	5740M	5760M	5780M	5800M	5820M	5840M	5860M	5880M
<b>R</b>	5658M	5695M	5732M	5769M	5806M	5843M	5880M	5917M
<b>L</b>	5362M	5399M	5436M	5473M	5510M	5547M	5584M	5621M
<b>sensitivity</b>	-98dBm±1dBm							
<b>antenna</b>	2 X SMA-K,50ohm							

## Package include

1. SteadyView X Receiver\*1
2. Patch Antenna\*1
3. Omni Antenna\*1
4. SKYZONE SKY04X Module Cover\*1
5. FATSHARK Module Cover\*1
6. XT60-DC Cable 5.5\*2.1 \*1
7. 3.5mm Video Cable\*1 1.2m
8. USB-C Cable\*1
9. User Manual\*1

1

## IO Port



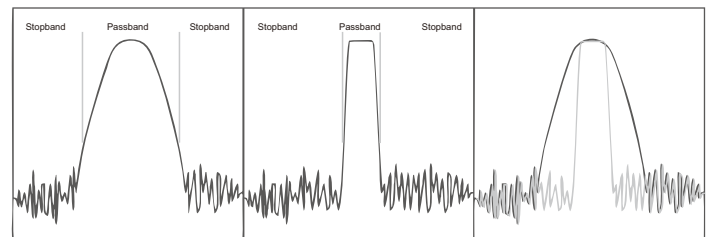
3.5mm Video port Pin out

## Introduction

Steadyview X receiver is high performance receiver, unlike traditional diversity receiver, the Steadyview X have unique fusion technology and low band Filter hardware, also unique image reconstruction algorithm, the receiver merge two signals to one, avoid image tearing and rolling, make image more stable and clear in challenging condition. The receiver come with ground station kit and 3 module bay cover, use can use the receiver on SKYZONE 04 series or fatshark goggles, also on SKYZONE Cobra goggles, user can use the receiver on any goggles or monitors which have AV INPUT port.

## Narrow-Band Filter features

The Narrow-Band Filter avoid noise interference, made the receiver reception is clean in open area and complex electromagnetic environment.



Normal 5.8GHz receiver

SteadyView X

Comparison

2

## Quick Start

### BAND/CH setting

1. In preview mode, press the wheel to enable CH setting, roll the wheel to change Channel, press the wheel again to enable BAND setting, roll the wheel the change the BAND.
2. No movement for 3 seconds, the receiver will back to preview mode.
3. The front with switch from big front and small front in preview mode.

### Auto Search

1. Hold the wheel to pop out search menu, press the wheel to enable search, the receiver will start search, after search, the receiver will change to strongest RSSI CH.
2. After search, the screen will show all rssi bar, use can roll the wheel to manually adjust the CH.
3. Press the wheel during the search to quit search.

Sometime the auto search is not accurate, user need manually adjust the CH.

### Receiver Mode

Some camera on market didnt follow standard NTSC/PAL signal, cause the receiver confusing in Mix mode, it will cause image getting dark, color distortion and image, user can switch to diversity mode to solve this issue, user can use these mode to get solve these issue.

2. Mix1 :this is basic mix mode, this mode provides basic fusion processing to reduce excessive interference of the circuit on the image.
3. Mix2: this mode improves synchronization stability, especially in weak signals to maximize synchronization and lock video.
4. Mix3: Enhance the synchronization signal on the basis of Mix2, maximize the stability of the video, and maximize the compatibility with camera. In this mode, The brightness of the signal will be reduced
5. Mix Off: the receiver will turn off the MIX feature, the receiver will work in traditional diversity mode receiver or signal receiver mode.

### Antenna Select

In this menu, user can choose Diversity, A, B.  
Diversity: in this mode, the two receiver will work same time, will choose the strongest signal to output.  
A,B: this mode, there is only one receiver is working to save the power.

### Stabilize Time

The parameter is only valid in the MIX mode. You can set the stable time after the receiver loses the synchronization signal. The default is 8 seconds. Mix1 is recommended to be set to 5 seconds or 8 seconds.

The longer the setting, the longer the stabilization time, but Since the sync signal has been lost, black bars may appear on the left or right side of the video, This is because the synchronization signal generated by the receiver and the VTX transmission the video synchronization signal sent is not synchronized, and the error is getting bigger and bigger. Once the signal is restored to sufficient strength, it will be synchronized immediately. If the time is still not synchronized, the receiver signal loses lock and automatically works in diversity or single receiving mode.

3

### OSD Mode

USER can choose the OSD style in the Video, the OSD is on the top left of the image.  
LockIconFreq: Lock Statues, formation of signal, RSSI bar, frequency.  
LockIcon: Lock Statues, formation of signal, RSSI bar.  
LockFreq: Lock Statues, formation of signal, frequency.  
Lock: Lock statues and Formation of Video Signal  
OFF: OSD Turn off the OSD in the video.

### MENU Style

User can change the menu style in this mode,  
Style1: White on a blue background  
Style2: Blue on a yellow background  
Style3: White on a black background

### Calibration

1. Calibrating the RSSI helps the receiver to work better and show the RSSI strength more accurately.
2. The calibration consists of two steps, both of which must be executed correctly to complete the calibration.
3. to calibrate the low rssi: make sure the receiver and VTX are working normal and matched, turn off the VTX power, calibrate the low rssi in the menu, when is done, turn on the power of VTX, then calibrate the high RSSI of receiver, when its done, user can quit the calibration menu.

### ELRS

The Steadyview x have ELRS VRX backpack build in, user can synchronize the VRX and VTX with TX backpack.

1. under ELRS menu, user can choose turn on or turn off the ELRS backpack.
2. if ELRS is turn on, user need go to bind mode under ELRS menu to bind the backpack to TX backpack. need Lua Script to bind the backpack, screen will show binding success after binding is done.
3. Upgrade the firmware, user can upgrade the VRX backpack firmware with ELRS configurator, plug the receiver to PC, and select upgrade under ELRS menu, then the ELRS will goto boot mode, go to ELRS configurator choose backpack, select the VRX backpack, target is Steadyview+ELRS, then choose the correct com port and start build and flash, also user can add binding phrase if the TX backpack already have binding phrase.

### Update Firmware

1. Hold the wheel when connect the receiver to the computer.
2. Computer will automatically install the driver, computer will show a new removable storage.
3. Copy the steadyview x Firmware File to the folder, receiver will installing the update at the same time. when the copying is done, the firmware update is done.

4